

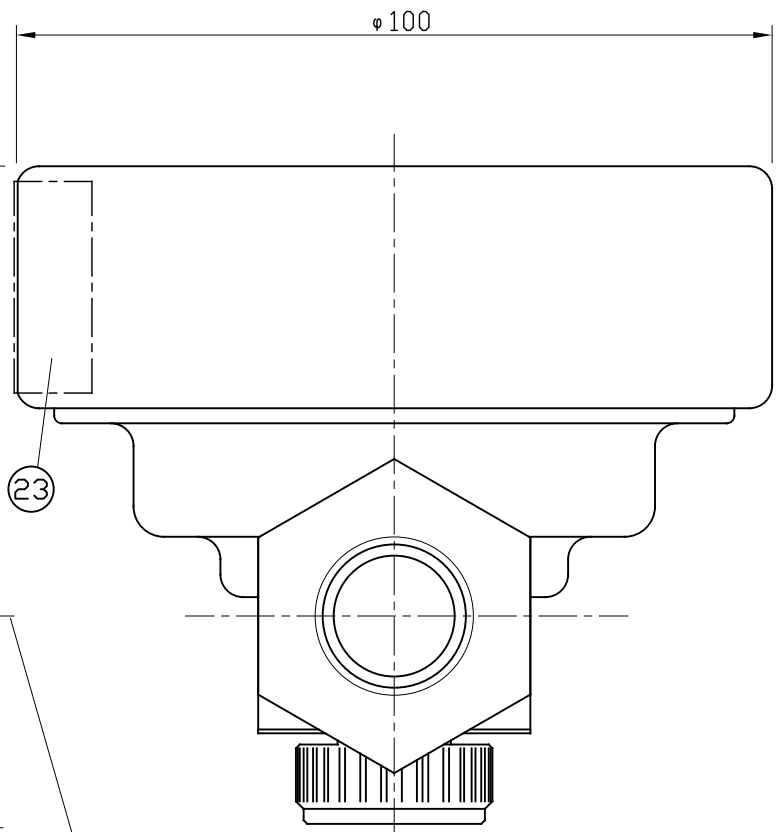
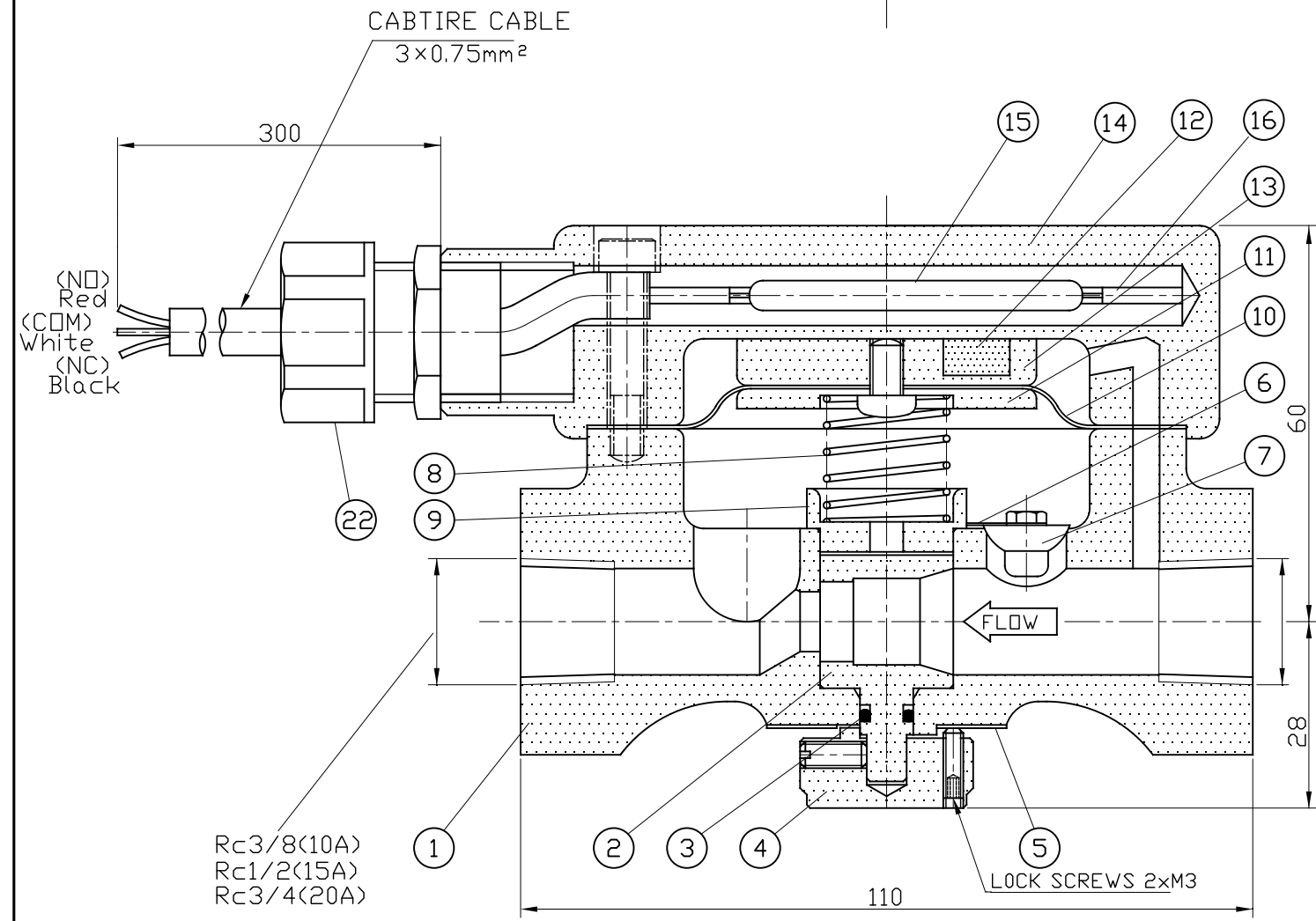
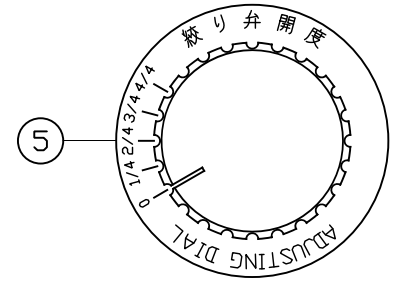
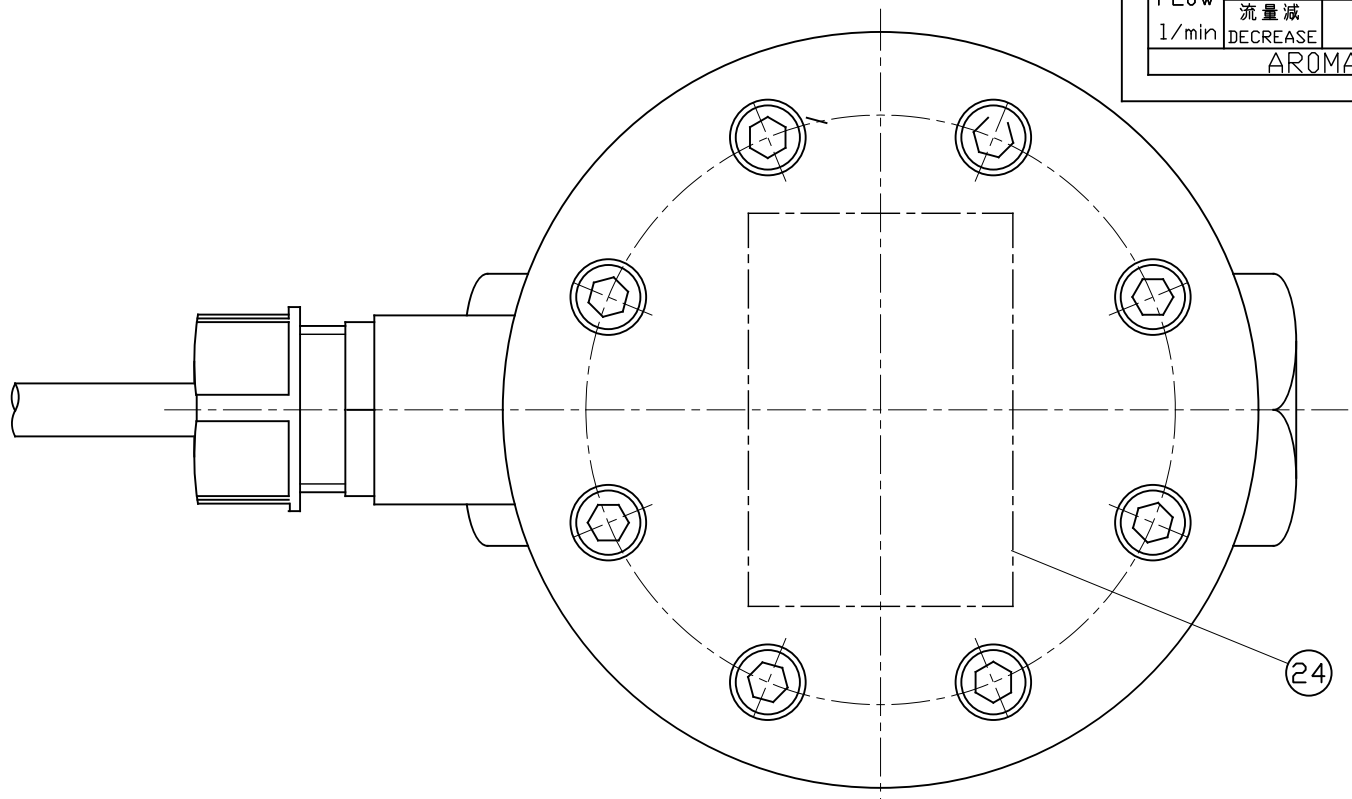
開度 Dial Position	0	1/4	2/4	3/4	4/4
流量 FLOW	流量増 INCREASE				
	流量減 DECREASE				
1/min					

AROMANIKKI CO.,LTD.

AROMANIKKI'S FLOW RELAY  
 MODEL NP-R PAT.No.69686  
 DIA. A MFG.No.  
 AC200V 0.3A 0.Q.(H) 1/min  
 100V 0.6A  
 DC 100V 0.6A 0.Q.(L) 1/min  
 50V 0.6A  
 24V 0.6A MAX.P. 0.98MPa  
 C V A MFG.DATE -  
 AROMANIKKI CO.,LTD.  
 MADE IN JAPAN

● MATERIAL LIST

No.	DESCRIPTIONS	MATERIAL	QTY	REMARKS
1	BODY	CAC403	1	
2	NOZZLE	C3604BD	1	
3	O-RING	NBR	1	
4	ADJUSTING DIAL	ALUMINUM	1	
5	DIAL PLATE	ALUMINUM	1	
6	PLAIN SPRING	SPECIAL ALLOY	1	
7	BALVE	NBR	1	
8	COIL SPRING	SUS304	1	
9	SUPPORTER	C3604BD	1	
10	DIAPHRAGM	NBR	1	
11	SUPPORTER	C3604BD	1	
12	MAGNET	SPECIAL ALLOY	1	
13	MAGNET HOLDER	RIGID PVC	1	
14	REED SWITCH HOLDER	RIGID PVC	1	
15	REED SWITCH		1	
16	SUPPORTER	RIGID PVC	1	
17				
18				
19				
20				
21				
22	CONNECTOR	DURACON	1	
23	TEST SHEET	ALUMINUM	1	
24	NAME PLATE	ALUMINUM	1	
25	BOLTS,NUTS	SUS304	1SET	



● DESIGNING OUTLINE TEMP.-10~+60°C

NOMINAL DIAMETER	10,15,,20 A	LIQUID	WATER
FLOW DIRECTION	<input type="checkbox"/> HORIZONTAL <input type="checkbox"/> DOWNWARD <input type="checkbox"/> UPWARD	RATING (RESISTIVE)	AC200V 0.3A AC100V 0.6A DC100V 0.6A DC 50V 0.6A DC 24V 0.6A
FLOW RATE	1/min	QUANTITY FORM	SPDT(1c)
SET POINT (INCREASE)	1/min	COLOUR (MUNSELL)	<input type="checkbox"/> PALE GOLD <input type="checkbox"/> NONE
SET POINT (DECREASE)	1/min		
PRESSURE	NDR. MPa MAX. 0.98 MPa TEST 0.98 MPa		

☒ : APPLICABLE MARK

FLOW RELAY MODEL NP-R PAT No.69686			
NONE	Y.K	K.N	
SCALE	DRAWN	ISSUED	APPROVED
AROMANIKKI CO.,Ltd			