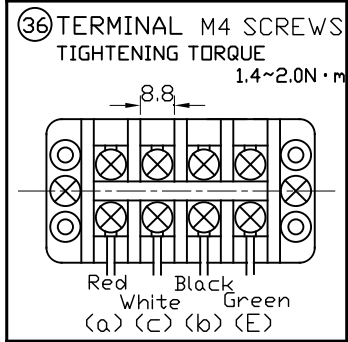


● SPECIFICATIONS OF CABLE



	CABLE	WASHER (a)	PACKING (b)	
□(A)	φ9~φ11.0	11.5φ	11.5φ	CVV CEV CEE CCV
□(B)	φ12.5	13φ	13φ	
□(C)	φ14.5	15φ	15φ	

● SIZE JIS 10K FLANGE □ F F D R F FOR RF

DIA	D	C	N×h	L	t	f	g
15A	95	70	4×15	140	14	1	51
20A	100	75	4×15	140	14	1	56
25A	125	90	4×19	140	14	1	67
32A	135	100	4×19	140	16	2	76
40A	140	105	4×19	140	16	2	81
50A	155	120	4×19	160	16	2	96
65A	175	140	4×19	160	18	2	116

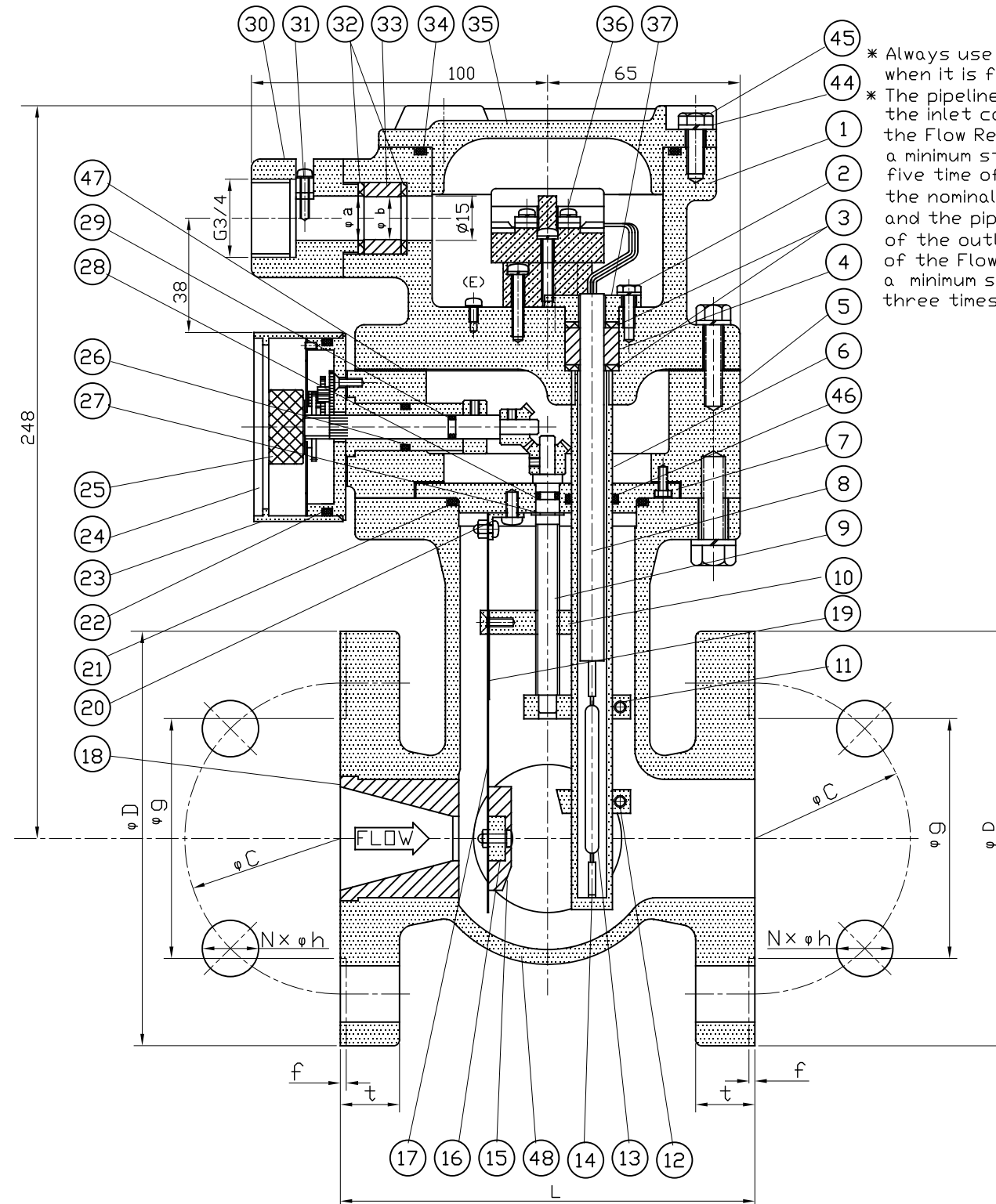
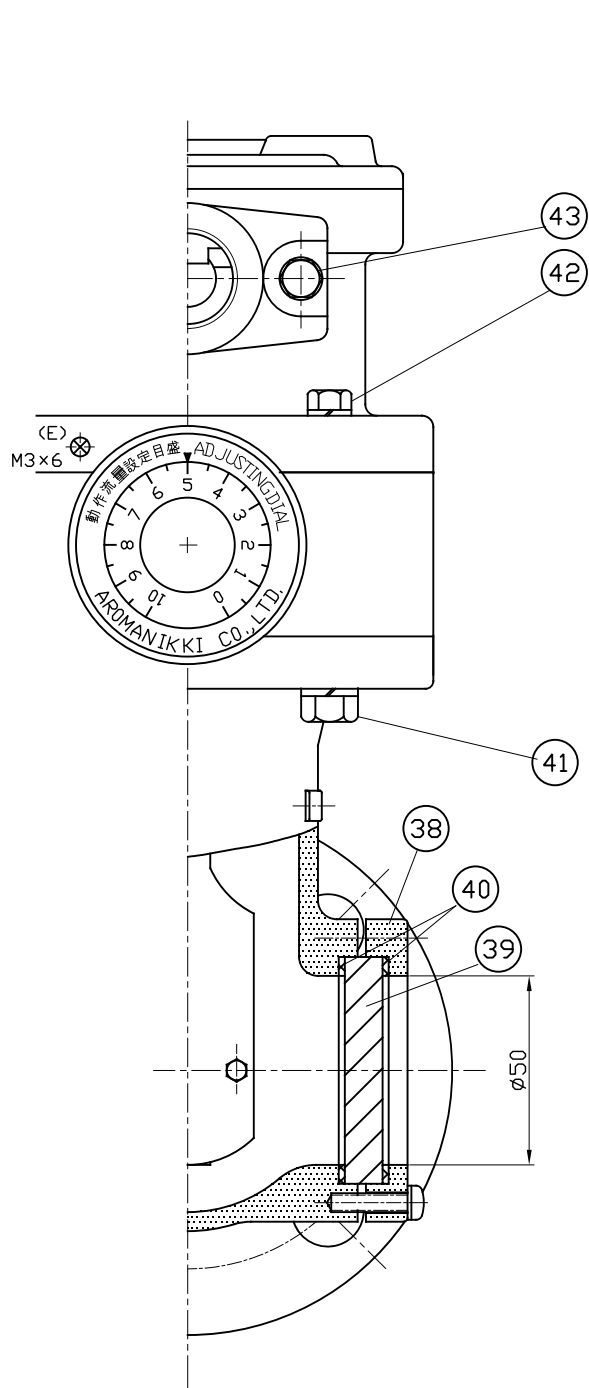
*STANDARDS, BY: JIS B 2238, B 2002

● DESIGNING OUTLINE TEMP. -10~+60°C

DIA	A	LIQUID	
FLOW DIRECTION	<input type="checkbox"/> HORIZONTAL <input type="checkbox"/> DOWNWARD <input type="checkbox"/> UPWARD	RATING (RESISTIVE)	AC200V 0.3A AC100V 0.6A DC100V 0.6A DC 50V 0.6A DC 24V 0.6A
FLOW RATE	l/min	QUANTITY FORM	SPDT(1c)
SET POINT (INCREASE)	l/min	COLOR (MUNSELL)	ELEMENT BODY 7.5BG4/1.5 NONE
SET POINT (DECREASE)	l/min		
PRESSURE	NDR. MPa	ACCESSORIES	<input type="checkbox"/> FLANGES <input type="checkbox"/> BOLTS & NUTS <input type="checkbox"/> PACKINGS
	MAX. 0.98 MPa		
	TEST. 1.57 MPa		

● MATERIAL LIST □ : APPLICABLE MARK

No.	DESCRIPTIONS	MATERIAL	QTY	REMARKS
1	TERMINAL BOX	FC200	1	
2	BOLT	SUS304	4	
3	PLAIN WASHER	SUS304	2	
4	PACKING	CR	1	
5	CASING	FC200	1	
6	PIPE	SUS	1	
7	FIT UP STAND	SUS	1	
8	CABTIRE CABLE	VINYL	1	
9	SCREW	SUS	1	
10	FULCRUM	SUS	1	
11	STOPPER	SUS	1	
12	STOPPER	SUS	1	
13	REED SWITCH		1	
14	SUPPORTER	RIGID PVC	1	
15	CAP	PCV	1	
16	MAGNET	SPECIAL ALLOY	1	
17	FIXED PLATE SPRING	SPECIAL ALLOY	1	
18	NOZZLE	RIGID PVC	1	
19	MOVING PLATE SPRING	SPECIAL ALLOY	1	
20	FIT UP PLATE	SUS	1	
21	*O* RING	Si	1	
22	*O* RING	NBR	1	
23	DIAL COVER	C2700T	1	
24	GLASS	ACRYL	1	
25	DIAL	C3604BD	1	
26	*O* RING	Si	1	
27	STOP RING	SUS316	1	
28	*O* RING	Si	1	
29	*O* RING	Si	1	
30	CABLE GRAND	FC200	1	
31	CABLE CLAMP	SUS304	1	
32	PLAIN WASHER	SUS304	2	
33	PACKING	CR	1	
34	*O* RING	NBR	1	
35	COVER	FC200	1	
36	TERMINAL	PA	1	
37	GRAND	C3604BD	1	
38	FRAME	C3604BE	2	
39	SIGHT GLASS	HARD GLASS	2	
40	PACKING	Si	4	
41	BOLT	SUS304	4	
42	BOLT	SUS304	4	
43	BOLT	SUS304	2	
44	SPRING WASHER	SUS304	4	
45	BOLT	SUS304	4	
46	*O* RING	Si	1	
47	PACKING	CR	1	
48	BODY	SCS	1	



* Always use the relay when it is filled up with fluid.
 * The pipeline upstream of the inlet connection of the Flow Relay shall have a minimum straight length five time of the nominal bore diameter and the pipeline downstream of the outlet connection of the Flow Relay shall have a minimum straight length three times of the nominal

FLOW RELAY MODEL SP-REX
 INDUSTRIAL SAFETY RESEARCH INSTITUTION FLOW RELAY
 EXPLOSIONPROOF TYPE Exd IIC4 No.TC13992PAT No.525884

SCALE	NONE	DRAWN	Y.K	ISSUED	K.N	APPROVED
-------	------	-------	-----	--------	-----	----------

AROMANIKKI CO.,Ltd