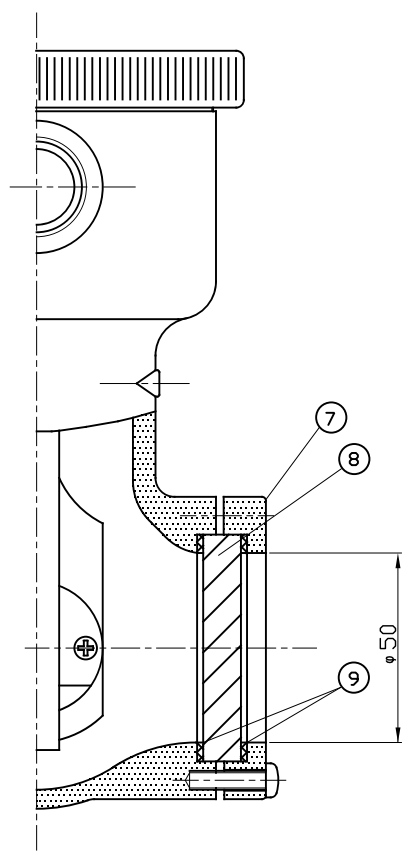
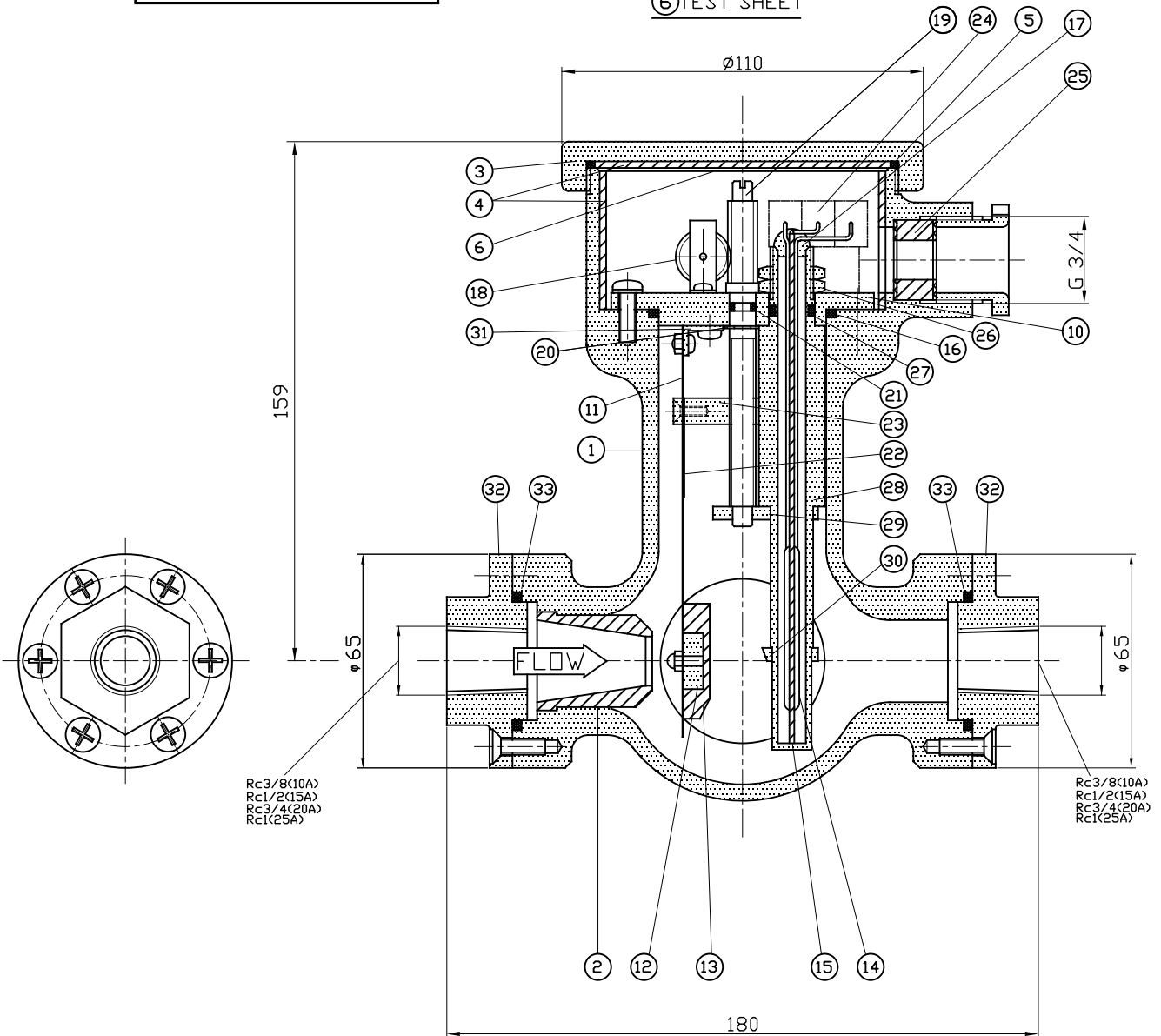


⑥ TEST SHEET

NOTE :  
 \* Always use the relay when it is filled up with fluid.  
 \* The pipeline upstream of the inlet connection of the Flow Relay shall have a minimum streight length five times of the nominal bore diameter and the pipeline downstream of the outlet connection of the Flow Relay shall have a minimum streight length three times of the nominal bore diameter.



**● MATERIAL LIST**

No.	DESCRIPTIONS	MATERIAL	Q'TY	REMARKS
1	CASING	FC200	1	
2	NOZZLE	RIGID PVC	1	
3	COVER	PPD	1	
4	INSULATION	SPONGE	1set	
5	"O"RING	NBR	1	
6	TEST SHEET	VINYL FILM	1	
7	FRAME	POM	2	
8	SIGHT GLASS	HARD GLASS	2	
9	PACKING	CR	4	
10	FIT UP STAND	C3604BE	1	
11	FIXED PLATE SPRING	SPECIAL ALLOY	1	
12	MAGNET	SPECIAL ALLOY	1	
13	CAP	ACRYLIC PVC ALLOY	1	
14	REED SWITCH		1	
15	SUPPORTER	RIGID PVC	1	
16	"O"RING	NBR	1	
17	BUSH	VINYL	1	
18	DIAL	ACRYL	1	
19	SCREW	SUS304	1	
20	STOP RING	SUS316	1	
21	"O"RING	NBR	1	
22	MOVING PLATE SPRING	SPECIAL ALLOY	1	
23	FULCRUM	C2801P	1	
24	TERMINAL	NYLON 66	1	
25	PACKING	CR	1	
26	LOCK NUT	C3604BD	2	
27	"O"RING	NBR	1	
28	PIPE	C3604BD	1	
29	STOPPER	C2801P	1	
30	STOPPER	C2801P	1	
31	FIT UP PLATE	C2801P	1	
32	BUSH	SS400	2	
33	"O"RING	NBR	2	
34	SCREWS	SUS304	1set	

**● DESIGNING OUTLINE** TEMP. -10~+60°C

NOMINAL DIAMETER	A	LIQUID	
FLOW DIRECTION	<input type="checkbox"/> HORIZONTAL <input type="checkbox"/> DOWNWARD <input type="checkbox"/> UPWARD	RATING (RESISTIVE)	AC200V 0.3A AC100V 0.6A DC100V 0.6A DC 50V 0.6A DC 24V 0.6A
FLOW RATE	1/min	QUANTITY FORM	SPDT.(1c)
SET POINT (INCREASE)	1/min	COLOUR (MUNSELL)	■ 7.5BG4/1.5 <input type="checkbox"/>
SET POINT (DECREASE)	1/min		
PRESSURE	NOR.	MPa	
	MAX.	0.98 MPa	
	TEST	1.57 MPa	

■ : APPLICABLE MARK

**FLOW RELAY MODEL SP-RN**  
 PAT No.525884

NONE	Y.K	K.N	
SCALE	DRAWN	ISSUED	APPROVED
AROMANIKKI CO.,Ltd			