

⑥ TEST SHEET

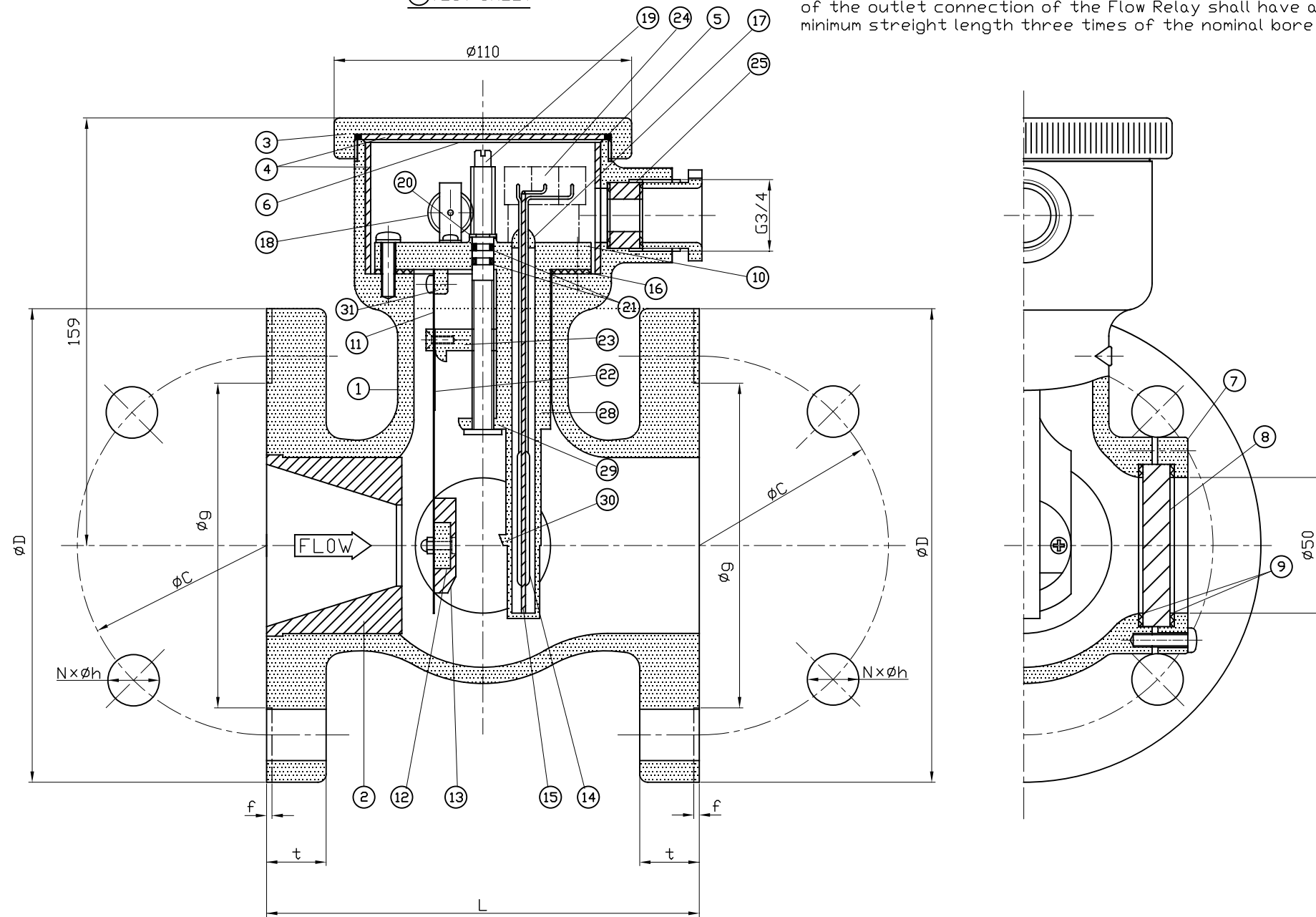
● S I Z E

DIA	D	C	N×h	L	t	FOR RF	
						FFDRF	FOR RF
15A	95	70	4×15	140	14	1	51
20A	100	75	4×15	140	14	1	56
25A	125	90	4×19	140	14	1	67
32A	135	100	4×19	140	16	2	76
40A	140	105	4×19	140	16	2	81
50A	155	120	4×19	160	16	2	96
65A	175	140	4×19	160	18	2	116

\*STANDARDS, BY : JIS B 2 2 3 8, B 2 0 0 2

NOTE :

- \* Always use the relay when it is filled up with fluid.
- \* The pipeline upstream of the inlet connection of the Flow Relay shall have a minimum straight length five times of the nominal bore diameter and the pipeline downstream of the outlet connection of the Flow Relay shall have a minimum straight length three times of the nominal bore diameter.



● MATERIAL LIST

No.	DESCRIPTIONS	MATERIAL	Q'TY	REMARKS
1	CASING	SCS	1	
2	NOZZLE	RIGID PVC	1	
3	COVER	PPD	1	
4	INSULATION	CR SPONGE	1set	
5	"O"RING	NBR	1	
6	TEST SHEET	VINYL FILM	1	
7	FRAME	POM	2	
8	SIGHT GLASS	HARD GLASS	2	
9	PACKING	Si	4	
10	FIT UP STAND	SCS	1	
11	FIXED PLATE	SPECIAL ALLOY	1	
12	MAGNET	SPECIAL ALLOY	1	
13	CAP	PVC	1	
14	REED SWITCH		1	
15	SUPPORTER	RIGID PVC	1	
16	PACKING	Si	1	
17	BUSH	VINYL	1	
18	DIAL	ACRYL	1	
19	SCREW	SUS	1	
20	STOP RING	SUS	1	
21	"O"RING	Si	2	
22	MOVING PLATE	SPECIAL ALLOY	1	
23	FULCRUM	SCS	1	
24	TERMINAL	NYLON 66	1	
25	PACKING	CR	1	
26				
27				
28	PIPE	SCS	1	
29	STOPPER	SCS	1	
30	STOPPER	SCS	1	
31	FIT UP PLATE	SCS	1	
32	SCREWS	SUS	1set	

● DESIGNING OUTLINE

		TEMP. -10~+60°C	
NOMINAL DIAMETER	A	LIQUID	
FLOW DIRECTION	<input type="checkbox"/> HORIZONTAL <input type="checkbox"/> DOWNWARD <input type="checkbox"/> UPWARD	RATING (RESISTIVE)	AC200V 0.4A AC100V 0.3A DC100V 0.3A DC 50V 0.6A DC 24V 0.6A
FLOW RATE	1/min	QUANTITY FORM	SPDT.(1c)
SET POINT (INCREASE)	1/min	COLOUR (MUNSELL)	<input checked="" type="checkbox"/> NONE <input type="checkbox"/>
SET POINT (DECREASE)	1/min	ACCESSORIES	<input type="checkbox"/> FLANGES <input type="checkbox"/> BOLTS&NUTS <input type="checkbox"/> PACKINGS
PRESSURE	NDR. MPa MAX. 0.98 MPa TEST 1.57 MPa		
■ : APPLICABLE MARK			

FLOW RELAY MODEL SP-R  
PAT No.525884

NONE	Y.K	K.N	
SCALE	DRAWN	ISSUED	APPROVED

AROMANIKKI CO.,Ltd