

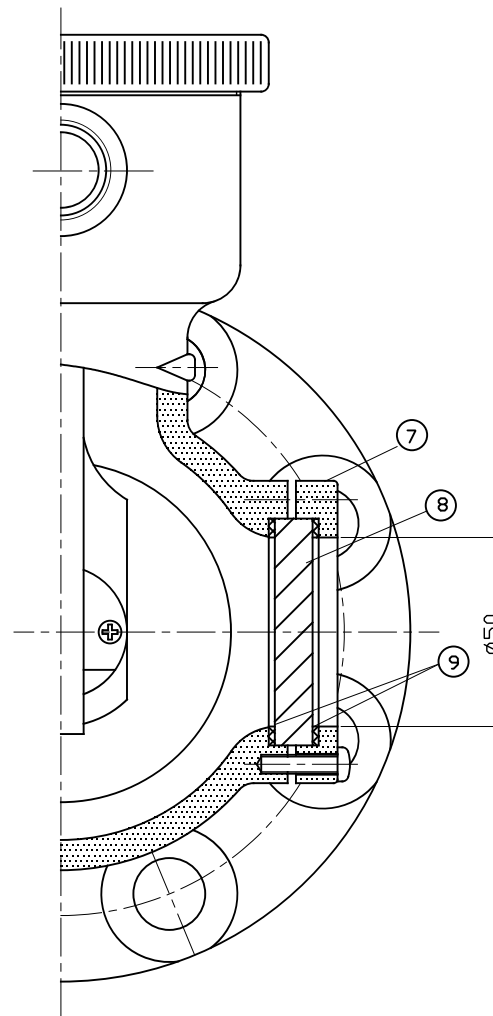
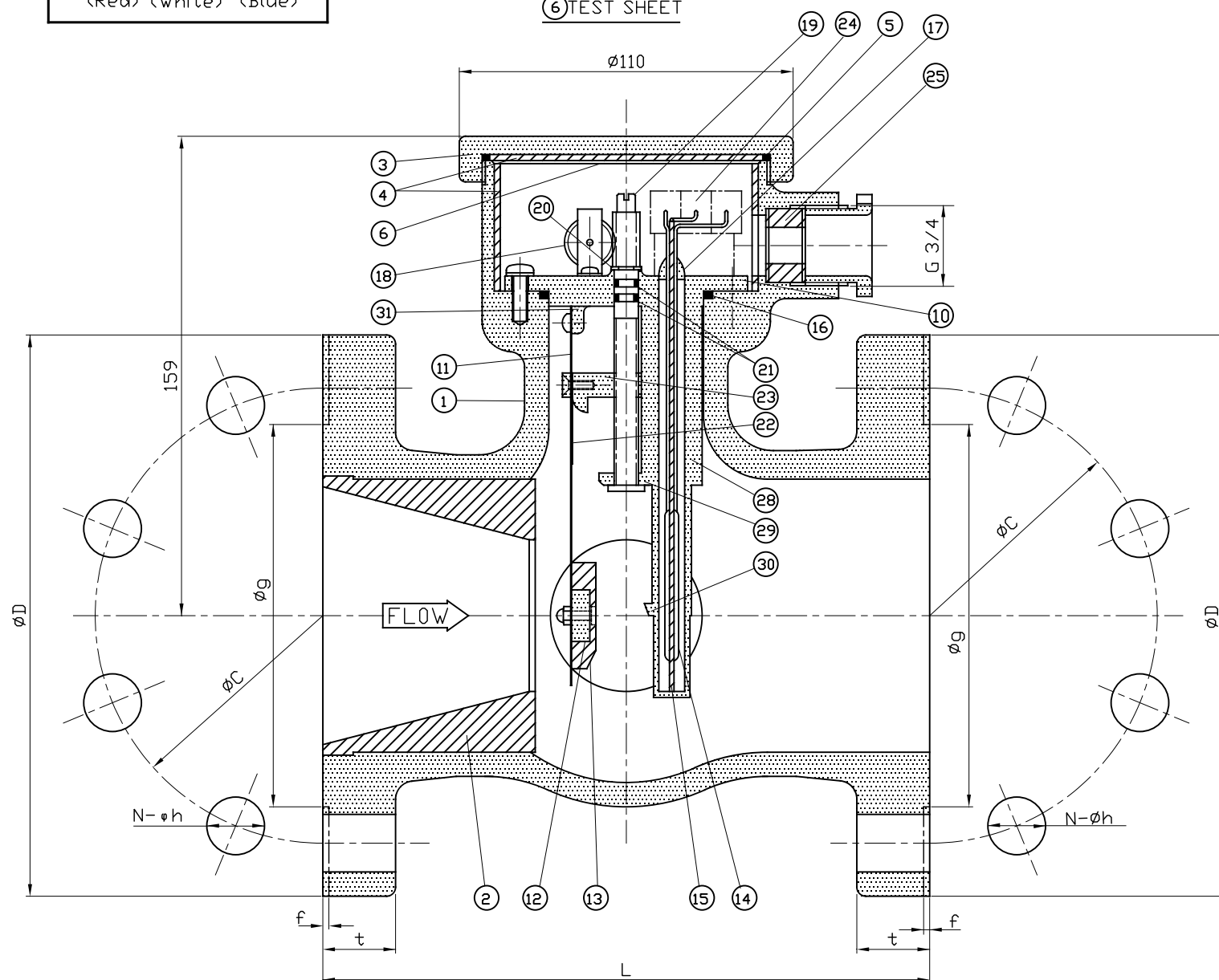
● S I Z E JIS 10K FLANGE

DIA	D	C	N×h	L	t	f	g
80A	185	150	8×19	200	18	2	126
100A	210	175	8×19	200	18	2	151

*STANDARDS BY: J I S B2238, B2002

NOTE :

- * Always use the relay when it is filled up with fluid.
- * The pipeline upstream of the inlet connection of the Flow Relay shall have a minimum streight length five times of the nominal bore diameter and the pipeline downstream of the outlet connection of the Flow Relay shall have a minimum streight length three times of the nominal bore diameter.



● MATERIAL LIST

No.	DESCRIPTIONS	MATERIAL	Q'TY	REMARKS
1	CASING	SCS	1	
2	NOZZLE	RIGID PVC	1	
3	COVER	PPD	1	
4	INSULATION	SPONGE	1set	
5	"O"RING	NBR	1	
6	TEST SHEET	VINYL FILM	1	
7	FRAME	POM	2	
8	SIGHT GLASS	HARD GLASS	2	
9	PACKING	Si	4	
10	FIT UP STAND	SCS	1	
11	FIXED PLATE	SPECIAL ALLOY	1	
12	MAGNET	SPECIAL ALLOY	1	
13	CAP	PVC	1	
14	REED SWITCH		1	
15	SUPPORTER	RIGID PVC	1	
16	"O"RING	Si	1	
17	BUSH	VINYL	1	
18	DIAL	ACRYL	1	
19	SCREW	SUS	1	
20	STOP RING	SUS	1	
21	"O"RING	Si	2	
22	MOVING PLATE	SPECIAL ALLOY	1	
23	FULCRUM	SCS	1	
24	TERMINAL	NYLON 66	1	
25	PACKING	CR	1	
26				
27				
28	PIPE	SCS	1	
29	STOPPER	SCS	1	
30	STOPPER	SCS	1	
31	FIT UP PLATE	SCS	1	
32	SCREWS	SUS	1set	

● DESIGNING OUTLINE

NOMINAL DIAMETER		A	LIQUID	TEMP. -10~+60°C
FLOW DIRECTION	<input type="checkbox"/> HORIZONTAL	RATING (RESISTIVE)	AC200V 0.4A AC100V 0.8A DC100V 0.3A DC 50V 0.6A DC 24V 0.6A	
	<input type="checkbox"/> DOWNWARD			
	<input type="checkbox"/> UPWARD			
FLOW RATE	1/min			
SET POINT (INCREASE)	1/min	QUANTITY FORM	SPDT.(1c)	
SET POINT (DECREASE)	1/min	COLOUR (MUNSELL)	■ NONE □	
PRESSURE	NDR. MPa	ACCESSORIES	□ FLANGES □ BOLTS&NUTS □ PACKINGS	
	MAX. 0.98 MPa			
	TEST 1.57 MPa			
■ : APPLICABLE MARK				

FLOW RELAY MODEL SP-R
PAT.No.525884

NONE	Y.K	K.N	
SCALE	DRAWN	ISSUED	APPROVED

AROMANIKKI CO.,Ltd