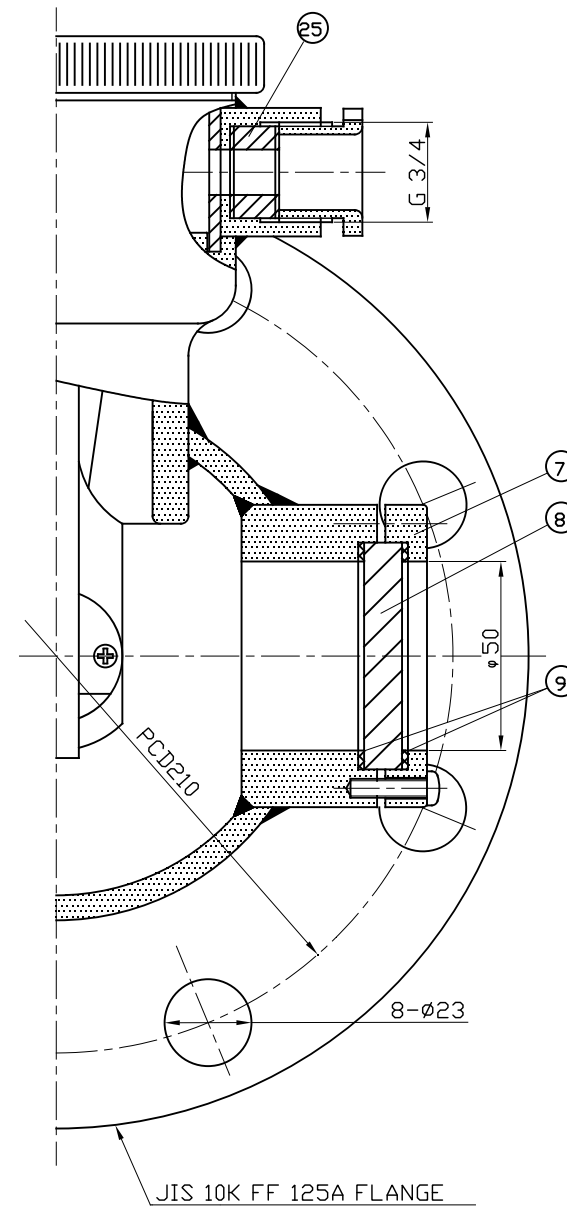
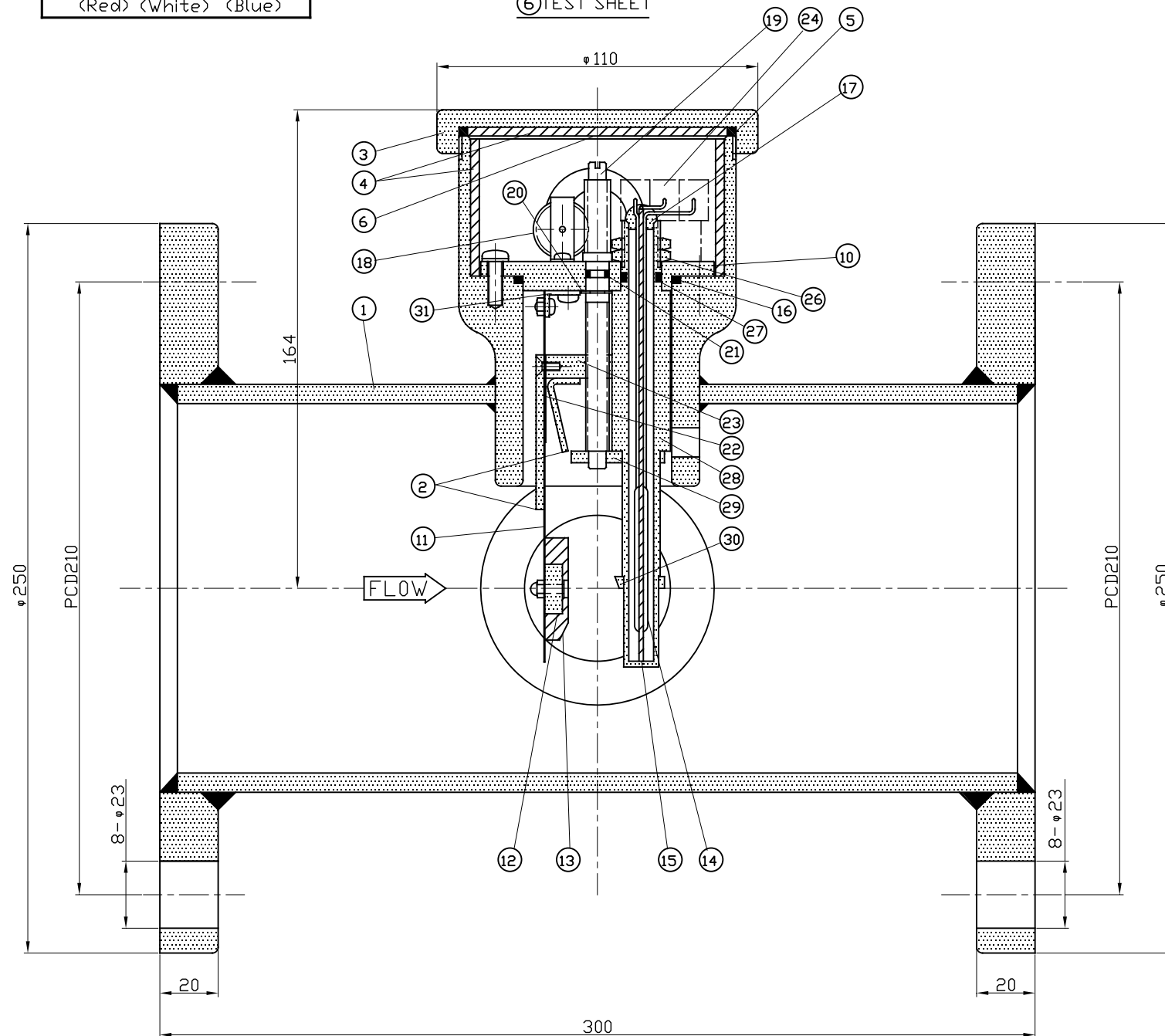


⑹ TEST SHEET

NOTE :

- \* Always use the relay when it is filled up with fluid.
- \* The pipeline upstream of the inlet connection of the Flow Relay shall have a minimum streight length five times of the nominal bore diameter and the pipeline downstream of the outlet connection of the Flow Relay shall have a minimum streight length three times of the nominal bore diameter.



DIMENSIONS ARE IN MILLIMETERS  
STANDARDS BY: JIS B2238, B2002

● MATERIAL LIST

No.	DESCRIPTIONS	MATERIAL	Q'TY	REMARKS
1	CASING	STPG370	1	
2	STOPPER	SUS316	1	
3	COVER	PPD	1	
4	INSULATION	SPONGE	1set	
5	"O"RING	NBR	1	
6	TEST SHEET	VINYL FILM	1	
7	FRAME	POM	2	
8	SIGHT GLASS	HARD GLASS	2	
9	PACKING	CR	4	
10	FIT UP STAND	C3604BE	1	
11	FIXED PLATE SPRING	SPECIAL ALLOY	1	
12	MAGNET	SPECIAL ALLOY	1	
13	CAP	ACRYLIC PVC ALLOY	1	
14	REED SWITCH		1	
15	SUPPORTER	RIGID PVC	1	
16	"O"RING	NBR	1	
17	BUSH	VINYL	1	
18	DIAL	ACRYL	1	
19	SCREW	SUS304	1	
20	STOP RING	SUS316	1	
21	"O"RING	NBR	1	
22	MOVING PLATE SPRING	SPECIAL ALLOY	1	
23	FULCRUM	C2801P	1	
24	TERMINAL	NYLON 66	1	
25	PACKING	CR	1	
26	LOCK NUT	C3604BD	2	
27	"O"RING	NBR	1	
28	PIPE	C3604BD	1	
29	STOPPER	C2801P	1	
30	STOPPER	C2801P	1	
31	FIT UP PLATE	C2801P	1	
32	SCREWS	SUS304	1set	

● DESIGNING OUTLINE

		TEMP. -10~+60°C	
NOMINAL DIAMETER	125 A	LIQUID	
FLOW DIRECTION	<input type="checkbox"/> HORIZONTAL <input type="checkbox"/> DOWNWARD <input type="checkbox"/> UPWARD	RATING (RESISTIVE)	AC200V 0.3A AC100V 0.6A DC100V 0.6A DC 50V 0.6A DC 24V 0.6A
FLOW RATE	1/min	QUANTITY FORM	SPDT.(1c)
SET POINT (INCREASE)	1/min	COLOUR (MUNSELL)	■ 7.5BG4/1.5 □
SET POINT (DECREASE)	1/min	ACCESSORIES	<input type="checkbox"/> FLANGES <input type="checkbox"/> BOLTS&NUTS <input type="checkbox"/> PACKINGS
PRESSURE	NDR. MPa MAX. 0.98 MPa TEST 1.57 MPa	■ : APPLICABLE MARK	

FLOW RELAY MODEL SP-R  
PAT No.525884

NONE	Y.K	K.N	
SCALE	DRAWN	ISSUED	APPROVED

AROMANIKKI CO.,Ltd